

North Grenville Fire Service Request for Tender

**RFT NGFS2026-03 – Emergency Vehicle Upfit – 2026
Chevrolet Silverado 3500 HD**

Request for Tender
Supply and Delivery – 1-Ton (3500 Series) Heavy-Duty Pickup Truck

Vendor: Address: Telephone: Attn: Email:	Request for Tender No: NGFS2026-03
	Return to: Municipality of North Grenville
	Tender Opening Location: 259 County Rd. #44, PO Box 130 Kemptville, ON K0G 1J0

Buyers Name: Municipality of North Grenville Cc: Deputy Fire Chief, Cale Rowan	Buyers Phone # 613-258-9569 x203	FOB Destination
Payment Terms 30 days	Date Issued Friday May 8, 2026	
Freight Terms N/A	Tender VIA Sealed Tender	Confirm to/Telephone 613-258-9569
Closing Date/Time Friday May 29, 2026 @ 2:00pm		Quote Effective Date 60 Days

Description:

The North Grenville Fire Service, on behalf of the Municipality of North Grenville, is seeking sealed tenders from qualified vendors for the supply, installation, programming, testing, and commissioning of a complete emergency services upfit for one (1) 2026 Chevrolet Silverado 3500 HD Crew Cab Long Box.

The completed upfit shall include the supply and installation of the required emergency lighting, siren and control system, mobile workstation and equipment mounting, electrical and charging systems, communications equipment mounting provisions, and one (1) Iconic X-One Truck Cap System configured for fire service operations.

The vehicle will be used to support fire response, water rescue operations, equipment transport, and other municipal emergency service activities.

The successful bidder shall provide a complete turnkey upfit, including all parts, labour, wiring, connectors, mounting hardware, programming, testing, documentation, and orientation required to deliver the vehicle fully operational and ready for service.

All equipment listed in Appendix "A" shall be supplied and installed by the successful bidder. No substitutions shall be permitted unless specifically authorized in writing by the Municipality of North Grenville.

The total tendered price shall include all costs necessary to complete the upfit, including equipment, installation, programming, certification, documentation, warranty, delivery, and any applicable fees. HST shall be shown separately.

Instructions for Tenders/Quotations

- i. Tenders must be submitted both by email (PDF format) and by sealed hard copy.
 - a. Email submissions shall be provided in PDF format and sent to: epsadmin@northgrenville.on.ca.
 - b. The email subject line must clearly reference “**RFT NGFS2026-03- Emergency Vehicle Upfit – 2026 Chevrolet Silverado 3500 HD**”.
 - c. Hard copy submissions shall be sealed, clearly labelled with the tender number, and delivered or mailed to:

**Municipality of North Grenville
285 County Road #44, PO Box 130
Kemptville, ON K0G 1J0**

- ii. Carefully read all terms and conditions printed below, plus any supplementary terms and conditions which may be attached.
- iii. A completed Tender must be received at the designated email address and physical location prior to the stated closing date and time to be considered valid.
- iv. Late Tender submissions will be returned unopened.
- v. The successful bidder will be notified by the Municipality of North Grenville by means of a purchase order or other agreement applicable to the requirements being tendered.
- vi. If you do not wish to bid on this tender, please complete and return the “Notice of No Bid”.
- vii. In addition to completing the attached forms, a detailed dealer specification form shall be attached itemizing detailed equipment and options being bid. Dealer package options must clearly identify inclusions and/or exclusions to the standards option list.
- viii. **Inquiries and Clarification**
Any inquiries or requests for clarification regarding this Request for Tender shall be directed to:
Cale Rowan, Deputy Fire Chief
Municipality of North Grenville
Email: crowan@northgrenville.on.ca

Bidders are encouraged to seek clarification prior to submission to ensure a complete and accurate tender.

General Terms and Conditions

1. Validity of Quotation/Tender

To be considered valid, this Quotation/Tender must be completed, legible and signed (in ink) and be submitted on the forms provided. If lengthy description is necessary, attach separate sheet(s) which will be considered part of the Quotation/Tender. Any attachments must be listed on the main Quotation/Tender document. Any erasure, overwriting or strikeouts must be initialled by the person signing for the bid.

Digital (email) submissions must contain a scanned or digital signature and be in PDF format. The Municipality reserves the right to request original signatures before award.

2. Acceptance, Revocation and Rejection of Quotation or Tender

The Bidder agrees that the bid is a firm bid to supply requirements specified in this document at the quoted process, and on the terms and conditions herein contained, which offer may be accepted by the Municipality of North Grenville or its designated officials in whole or in part, as specified. Late Tenders will be rejected and returned unopened. Should a Bidder wish to alter after the bid, amendments will be accepted until the designated time of bid closure.

3. Alternatives

Brands are to be as specified or an equivalent approved by the Municipality of North Grenville. When submitting bids on alternatives, supporting literature should accompany your submission wherever possible.

4. The Lowest or any Quotation/Tender not necessarily accepted

- 4.(a) The Municipality of North Grenville may, in its sole discretion, reject or retain for its consideration bids which are non-conforming because they do not contain the content of form required by this Tender or fail to comply with the submission process as set out in this Tender. If the Municipality of North Grenville, in its sole discretion, deems any items bid to be unbalanced, the bid may be deemed informal and rejected.

The Municipality of North Grenville reserves the right to award by item, or any part thereof, groups of items, or any parts thereof, or all items, and to award contracts to one or more bidders. The Municipality of North Grenville further reserves the right to reject any and all bids in whole or in part and to waive any technical defects, irregularities, and omissions if, in so doing, the best interests of the Municipality of North Grenville will be served.

- 4.(b) The Municipality of North Grenville reserves the right to consider, during the evaluation of Quotation/Tenders:

- i. information provided in the Tender document itself;
- ii. information provided in response to enquiries of credit and industry references set out in the Tender;
- iii. information received in response to enquiries made by the Municipality of North Grenville of third parties apart from those disclosed in the Tender in relation to the reputation, reliability, experience, and capabilities of the Bidder;
- iv. the manner in which the Bidder provides services to others;
- v. the experience and qualifications of the Bidder's senior management, and project management;
- vi. the compliance of the Bidder with the Municipality of North Grenville requirements and specifications; and
- vii. innovative approaches proposed by the Bidder in the Quotation/Tender.

- 4.(c) The Bidder acknowledges that the Municipality of North Grenville may rely upon the criteria which the Municipality of North Grenville deems relevant, even though such criteria may not have been disclosed to the Bidder. By submitting a Tender, the Bidder acknowledges the Municipality's rights under this Section and absolutely waives any right, or cause of action against the Municipality of North Grenville and its consultants, by reason of the Municipality's failure to accept the Tender submitted by the Bidder, whether such right or cause of action arises in contract, negligence, or otherwise.

5. Price

Prices quoted by the Bidder shall include packing, packaging, delivery, unloading and installation charges, where applicable, unless otherwise specified in the Quotation/Tender and shall remain unchanged during the period stipulated in the Quotation/Tender. Prices must include all labour, materials, documentation, and any fees required to supply and deliver the vehicle in ready-for-service condition as described in Appendix A.

6. Packaging

All goods shall be packaged in standard commercial packages and/or cartons unless otherwise specified and shall be accompanied by a packing slip. All shipping containers shall carry the names of the item, size or weight, quantity, the name of the vendor, purchase offer number, tagging and shipping instructions specified.

7. Harmonized Sales Tax

Bidders must include the Harmonized Sales Tax (HST) in their bid.

8. Unit Price

All unit prices must be clearly indicated and must be extended and totalled. In the event of any conflict between unit prices and the total sum, the unit prices will be used in evaluating the bid.

9. Cash Discounts

Cash discounts offered for expeditious payment of invoices, if applicable, shall be quoted separately and the time will be measured from the date of which the goods and services are delivered, whichever is the later date.

10. Electrical Equipment

All electrically operated equipment quoted or tendered must be CSA and/or Ontario Hydro approved and bear the appropriate certification label.

11. Legal Responsible

The Bidder shall indemnify and save harmless the Corporation of the Municipality of North Grenville against all claims, actions, suits and proceeding for the infringement of any patent based upon the use of any inventions protected by such patent or for royalties or other payments which may be payable in conjunction with carrying out the work and in respect of the use of disposal by the Municipality of North Grenville or articles and supplies, furnished pursuant to a contract.

All contractors, subcontractors and suppliers to the Municipality of North Grenville shall comply with all legislation and regulations which may be applicable to this Quotation/Tender.

All work must be carried out in accordance with applicable legislation and recognized standards, including but not limited to National Fire Protection Association (NFPA) standards, Underwriters Laboratories of Canada (ULC) requirements, and all relevant federal and provincial legislation and regulations.

12. Delivery Conditions

Unless otherwise stated in the "Request for Quotation/Tender," all goods ordered in quantities specified from time to time shall be delivered to the specified destination in the Province of Ontario, in good order and free from any extra expense to the Municipality of North Grenville. Unless otherwise specified, all deliveries shall be made on a normal working day. The tenderer shall ensure strict adherence to any specified delivery schedule.

13. Quality Control

Authorized representatives of the Municipality of North Grenville shall during normal working hours, have access to the Bidders plant and premises where any part of the work is being carried out.

The Bidder shall provide assistance, test pieces and samples to carry out any requested inspections and/or appropriate tests of goods or materials.

Representative samples of the goods delivered shall be inspected by the consignee. In the event that the goods supplied do not conform to specifications, they shall be rejected and returned to the bidder, at the bidder's expense.

If latent defects are discovered after the goods have been accepted, such goods will then be rejected, and the Bidder shall replace the defective goods at the Bidder's expense. Rejected goods will be returned to the Bidder, transportation charges 'collect.' The Bidder shall replace rejected goods within a reasonable period not usually exceeding fifteen (15) working days.

14. Supplementary Terms and Conditions

Any articles hereinafter have been numbered as supplementary to the respective articles of the general policies.

These supplementary policies, where used, govern over the general policies.

Supplementary policies attached.

NOTICE OF NO BID

Tender No: NGFS2026-03

NOTE: Receipt of this completed form will assist us in calling for future bids. Please complete and submit this form prior to the closing date and time as shown on the Request for Tender Form.

A Tender is not being submitted for the following reason(s):

<input type="checkbox"/>	We do not manufacture/supply the required goods or services	<input type="checkbox"/>	We are unable to competitively quote/tender at this time
<input type="checkbox"/>	We do not manufacture/supply to stated specifications	<input type="checkbox"/>	Cannot meet delivery requirements
<input type="checkbox"/>	Specifications are not sufficiently defined	<input type="checkbox"/>	We do not have facilities to handle this requirement
<input type="checkbox"/>	Insufficient information to prepare quotation/tender	<input type="checkbox"/>	Cannot quote/tender a firm price at this time
<input type="checkbox"/>	Quantity too small	<input type="checkbox"/>	Insufficient time to prepare quotation/tender
<input type="checkbox"/>	Quantity too large	<input type="checkbox"/>	Licensing restrictions (please explain)
<input type="checkbox"/>	Quantity beyond our production capacity	<input type="checkbox"/>	Agreements with distributors and/or dealers do not permit us to sell directly
<input type="checkbox"/>	Cannot meet packaging requirements	<input type="checkbox"/>	Cannot obtain raw materials in time to meet delivery requirements
<input type="checkbox"/>	Cannot handle due to present plant loading	<input type="checkbox"/>	Other reasons or additional comments (please explain below)

Comments:

I/We wish to quote/tender on similar good/services in future <input type="checkbox"/> Yes <input type="checkbox"/> No	Authorized Company Official – Signature and Title	Date:
	Firm Name	
	Address	
	City	
	Province	Postal Code

APPENDIX “A” – EMERGENCY VEHICLE UPFIT SPECIFICATIONS AND COMPLIANCE

Municipality of North Grenville – Fire Service (NGFS)

Supply and Installation – Emergency Vehicle Upfit 2026 Chevrolet Silverado 3500 HD Crew Cab Long Box

Instructions to Bidders

The bidder shall indicate compliance with each requirement listed below. Where a deviation exists, the bidder must clearly describe the deviation in the Comment column.

All specified manufacturers, brands, and model numbers identified within this Appendix are mandatory. No substitutions or alternatives will be accepted unless approved in writing by the Municipality of North Grenville prior to tender closing.

Failure to complete the Compliance column in full may result in the submission being deemed non-compliant.

A1 – GENERAL REQUIREMENTS

Requirement	Comply	Comment
Scope of Work	Supply, installation, integration, programming, testing, and commissioning of a complete emergency vehicle upfit for one (1) 2026 Chevrolet Silverado 3500 HD Crew Cab Long Box	
Turnkey Upfit	Bid shall include all labour, materials, wiring, connectors, mounting hardware, programming, testing, and commissioning required to deliver a fully operational vehicle	
Equipment Supply	All equipment identified in this Appendix shall be supplied and installed by the successful bidder	
Equipment Condition	All equipment shall be new, unused, and current production	
Specified Equipment	All specified manufacturers, brands, and model numbers are mandatory and shall be supplied and installed	
Substitutions	No substitutions or alternatives will be accepted unless approved in writing by the Municipality prior to tender closing	

Completeness	Any components not listed but required for proper and safe operation shall be deemed included at no additional cost	
System Integration	All systems (lighting, siren, electrical, storage, control) shall be fully integrated into a single operational platform	
Workmanship	Installation shall be completed in accordance with industry best practices for emergency vehicle upfitting	
Vehicle Protection	Installation shall not damage or compromise OEM vehicle structure, wiring, or safety systems	
Clean Installation	All wiring shall be concealed, loomed, secured, and protected from abrasion, heat, and moisture	

A2. REGULATORY COMPLIANCE

Requirement	Comply	Comment
Legislative Compliance	All equipment and installation shall comply with applicable Ontario legislation, including the Highway Traffic Act (HTA) and Occupational Health and Safety Act (OHSA)	
Standards Compliance	Installation and equipment shall comply with applicable NFPA, ULC, and CSA standards where relevant to emergency vehicle upfitting	
Electrical Certification	All electrical components and systems shall be CSA approved or equivalent and installed in accordance with applicable electrical safety standards	
Emergency Lighting Compliance	All warning and lighting systems shall meet applicable Ontario requirements for emergency vehicles	
Vehicle Safety Systems	Installation shall not interfere with OEM safety systems including airbags, sensors, cameras, or driver assistance systems	
Visibility & Operation	Installed equipment shall not obstruct driver visibility, mirrors, or camera systems	
System Compatibility	All installed equipment shall be compatible with OEM vehicle electrical and electronic systems	
Load Management	Electrical system shall be designed to safely manage load requirements of all installed equipment	
Environmental Suitability	All installed equipment shall be suitable for operation in Canadian climate conditions	

	including cold weather, moisture, and road salt exposure	
Certification (if applicable)	Completed upfit shall meet any applicable electrical or installation certification requirements (e.g., ESA/ESafe where required)	

A3 – VEHICLE INFORMATION

Requirement	Comply	Comment
Vehicle Supplied by Municipality	Upfit shall be completed on one (1) 2026 Chevrolet Silverado 3500 HD Crew Cab Long Box supplied by the Municipality of North Grenville	
Vehicle Condition	Vehicle will be new and available for upfitting at time of award or as coordinated with the successful bidder	
Verification of Fitment	Bidder shall verify all measurements and ensure compatibility of all specified equipment with the vehicle prior to installation	
Responsibility for Fitment	Bidder shall be responsible for proper fitment and integration of all equipment supplied and installed under this contract	
Coordination	Bidder shall coordinate scheduling of vehicle delivery and upfit timeline with the Municipality	
No Structural Compromise	Installation shall not compromise vehicle structural integrity, OEM wiring, or safety systems	
Warranty Protection	Installation shall not void or negatively impact the manufacturer's vehicle warranty	

A4 – TRUCK CAP SYSTEM (ICONIC X-ONE)

The bidder shall supply and install one (1) Iconic X-One Truck Cap System configured for the specified vehicle.

The cap system shall match the configuration, layout, and finish as shown in Figure 1 (Exterior Configuration) and Figure 2 (Interior Configuration) included in this Appendix.

The figures form part of this specification and are considered mandatory requirements.

The bidder is responsible for reviewing all provided information and confirming any configuration details with the Municipality of North Grenville prior to tender submission.

Requirement	Comply	Comment
Cap System	Bidder shall supply and install one (1) Iconic X-One Truck Cap System	
Vehicle Make	Cap shall be configured for Chevrolet Silverado 3500	
Vehicle Model Year	Cap shall be configured for 2026 model year vehicle	
Bed Length	Cap shall be designed for long bed configuration (approx. 8 ft box)	
Application	Cap shall be configured for fire service use	
Cab Configuration	Cap shall be compatible with four-door crew cab configuration	
Fit Type	Cap shall be a tailored fit specific to the vehicle	
Length	Cap shall be standard length configuration	
Tailgate Retention	OEM tailgate shall remain on the vehicle and be fully functional after installation	
Height	Cap shall be standard height profile	
Exterior Finish	Cap exterior shall be manufacturer's anti-skid black finish	
Door Hardware	Door handles shall be black and suitable for emergency service use	
Roof Configuration	Cap shall include extended roof with integrated roof rails	
Roof Finish	Roof rails and associated components shall be anti-skid black finish	
Interior Lighting	Interior compartments shall include LED lighting	

Drawer System	Main box shall include slide-out drawer system with 100% extension and minimum 1500 lb. capacity	
Shelving	Side compartments shall include adjustable shelving system	
SCBA Cylinder Storage	Cap system shall include secure mounting for two (2) SCBA cylinders rated for 4500 psi	
SCBA Cylinder Mount Type	Mounting system shall be designed to securely hold cylinders in place during vehicle movement and emergency response conditions	
Stokes Storage Basket	Cap system shall include dedicated mounting or racking system for one (1) Stokes basket (interior upper area)	

Figure 1:

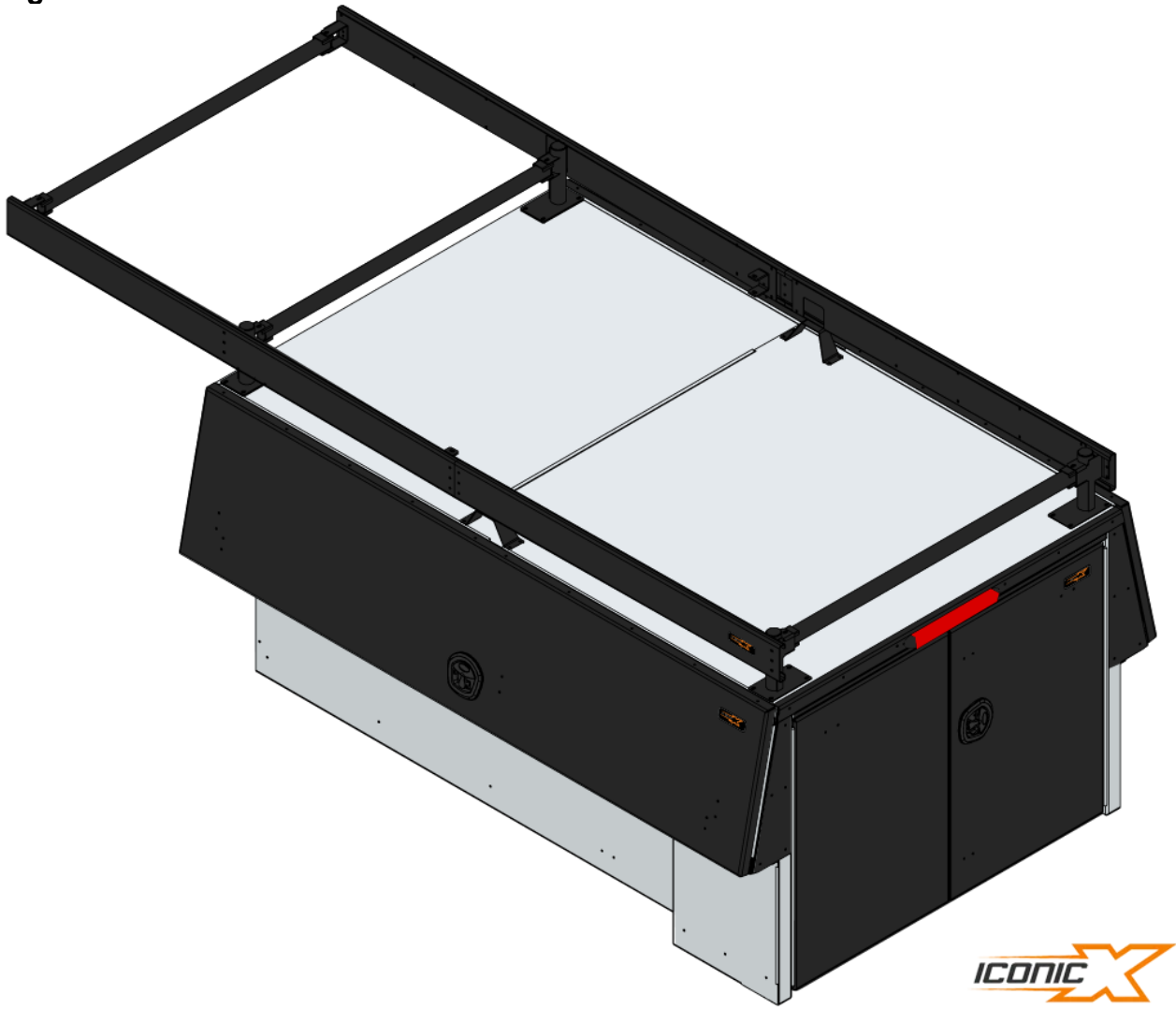
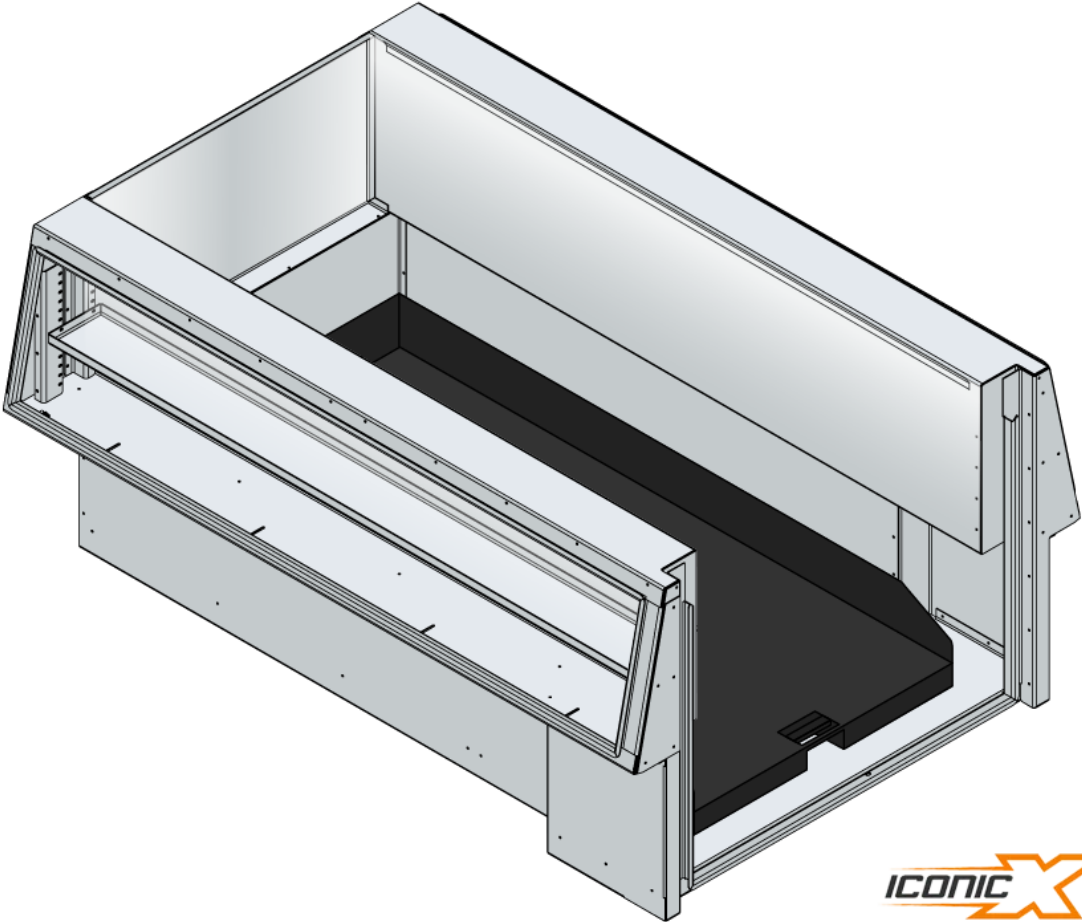


Figure 2:



A5. EMERGENCY VEHICLE SYSTEMS AND EQUIPMENT

The bidder shall supply and install all emergency vehicle systems and equipment as specified below.

All manufacturers, brands, and model numbers identified are mandatory and shall be supplied and installed as specified.

All systems shall be fully integrated and operational as a complete emergency vehicle platform. Installation locations and configurations shall be as described and shall be confirmed with the Municipality where required and before final installation.

Requirement	Comply	Comment
ZONE A – FRONT		
Lighting	2 - Whelen IONV1R Red LED V Series Mounted in Driver side grill	
Lighting	2 - Whelen IONV1B Blue LED V Series Mounted in Pass side grill	
Lighting	2 - Whelen VX2J Mounted in Driver & Pass lower front bumper fog light area	
ZONE B – PASSENGER SIDE		
Lighting	1 - Whelen M2BC Mounted on front side fender	
Lighting	1 - Whelen M2RC Mounted on the rack of the truck cap (See yellow arrows on Figure 3)	
Lighting	1 - Whelen M2BC Mounted on the rack of the truck cap (See yellow arrows on Figure 3)	
Scene Lighting	2 - Whelen M62SLC Scene Lights (See blue arrows on Figure 3)	
Scene Lighting	2 - Whelen NP3BB Pioneer Nano (See green arrows on Figure 3)	
Mirror Lighting	1 - Whelen U180J Under Side Mirror Light	
Mirror Mount	1 - Whelen U18013 Under Side Mirror Mount (<i>Model year compatibility</i>)	
ZONE C – REAR		
Lighting	2 - Whelen TSS0J Mounted on Driver & Pass Rear Upper Outer Cap	
Lighting	1 - Whelen TSS0R Mounted on Driver Rear Upper Inner Cap	
Lighting	1 - Whelen TSS0B Mounted on Pass Rear Upper Inner Cap	
Lighting	1 - Whelen PSR01FCR Mounted Vertically on Driver Rear Mid Cap	

Lighting	1 - Whelen PSB01FCR Mounted Vertically on Pass Rear Mid Cap	
Lighting	2 - Whelen TMS0J Mounted in Driver & Pass Rear Lower Foot Step	
Lighting	1 - Whelen TSS0R Mounted on Driver Rear Door When Open	
Lighting	1 - Whelen TSS0B Mounted on Pass Rear Door When Open	
ZONE D – DRIVER SIDE		
Lighting	1 - Whelen M2RC Mounted on front side fender	
Lighting	1 - Whelen M2BC Mounted on the rack of the truck cap (See yellow arrows on image for reference)	
Lighting	1 - Whelen M2RC Mounted on the rack of the truck cap (See yellow arrows on image for reference)	
Scene Lighting	2 - Whelen M62SLC Scene Lights (See green arrows on image for reference)	
Scene Lighting	2 - Whelen NP3BB Pioneer Nano (See green arrows on image for reference)	
Mirror Lighting	1 - Whelen U180J Under Side Mirror Light	
Mirror Mount	1 - Whelen U18013 Under Side Mirror Mount (<i>Vehicle model year compatibility TBD</i>)	
Electrical Equipment	1 - Kussmaul Super Auto Eject 091-55-20-120 Mounted on Rear Quarter Panel	
Electrical Equipment	1 - Kussmaul Charger 091-187-12-R-194-WT-RD 1200 Mounted in Havis C-SBX-105 Box	
ZONE E – ROOF (Figure 4)		
Lightbar	1 - Whelen BB2SP3J 54" Duo WCX Liberty II Lightbar	
Mounting	1 - Whelen STPKT101 Lightbar Strap Kit #101	
SIREN SYSTEM		
Siren	1 - Whelen CENCOM CORE WCX Amp/Siren System (Models C399, CCTL6, C399SP*, CEM16, CV2V, SA315P and SAK70)	
MOBILE WORKSTATION & EQUIPMENT MOUNTING		
Console	1 - Havis C-VSW-2600-SILV Vehicle-Specific 26" Wide Flat Console	
Mounting	1 - Havis C-EB40-CCS-1P 1-Piece Equipment Mounting Bracket, 4" Mounting Space, Fits Whelen CenCom CORE CCTL6	

Mounting	1 - Havis C-EB30-APS-1P 1-Piece Equipment Mounting Bracket, 3" Mounting Space, Fits Motorola APX-4500 Self-Contained Radio	
Mobile Radio	The Municipality will supply the mobile radio unit for installation (Motoral APX-4500)	
Mobile Radio Installation	Bidder shall install the supplied radio in the Havis console system as specified	
Cabling	All antenna cabling shall be concealed, loomed, secured, and protected from damage	
Penetrations	Any roof or body penetrations shall be properly sealed to prevent water ingress	
Mobile Radio Integration	Radio shall be fully integrated with the vehicle electrical system and mounting platform	
Mobile Radio Antenna	Bidder shall supply and install antenna mount and through-vehicle routing for the radio system (approved location)	
Mounting	1 - Havis C-LP2-USB-BL2 Console Accessory Bracket With 2 Lighter Plug Outlets, 1 USB-C & USB Type A Dual Port Charger And 2 Blanks For Rectangular Accessories	
Accessories	1 - Havis C-AP-0325-1 3" Accessory Pocket, 2.5" Deep	
Accessories	1 - Havis CUP2-1004 Self-Adjusting Double Cup Holder (Fixed Mount)	
Accessories	1 - Havis C-APW-0744-1 7" Accessory Pocket, 4.4" Deep For 3.3"W Section Of Wide Consoles	
Accessories	2 - Havis C-ARM-102 Side Mount Armrest	
Accessories	1 - Havis C-HDM-204 8.5" Heavy-Duty Telescoping Pole, Side Mount, Short Handle	
Accessories	1 - Havis C-MD-114 11" Slide Out Locking Swing Arm	
Tablet Mount	1 - Havis C-MD-207 Tilt Swivel Motion Device For Compact Tablet Applications	
Tablet Mount	1 - Havis UT-2023 Rugged Tablet Cradle For Samsung Galaxy Tab S9, S9 FE, & A9+	
Storage	1 - Havis C-SBX-105 Lockable Under-Seat Storage Box For 2019-2026 Chevrolet Silverado SSV & 1500/2500/3500 & GMC Sierra (for installation purposes)	

Accessories	Magnetic Mic MMSU-1 (2 units), ChargeGuard-Select, dome light and associated components	
Accessories	1 - Havis CG-X ChargeGuard-Select	
Accessories	1 - Whelen 60CREGCS Dome Light Mounted on Front Headliner Area	
CENCOM CORE FEATURE PROGRAMMING		
Programming (Feature Sets)	System shall be programmed to include all operational modes, lighting patterns, overrides, and inputs as specified by the Municipality (details will be provided)	
ELECTRICAL		
Wiring & Components	Supply of wiring, Deutsch connectors, fuse box, Waytek InPower SSC20-100 and terminal boot	
	ESafe Certification	
Equipment	1 - 2.5 lb. fire extinguisher with mounting	
DELIVERABLES		
Warranty	Parts and labour warranty shall be included	
Documentation	Wiring diagrams shall be provided	
Training	Minimum 2 hours of vehicle orientation for Municipal staff	
Software	Electronic copy of lighting control programming software shall be provided	

Figure 3:

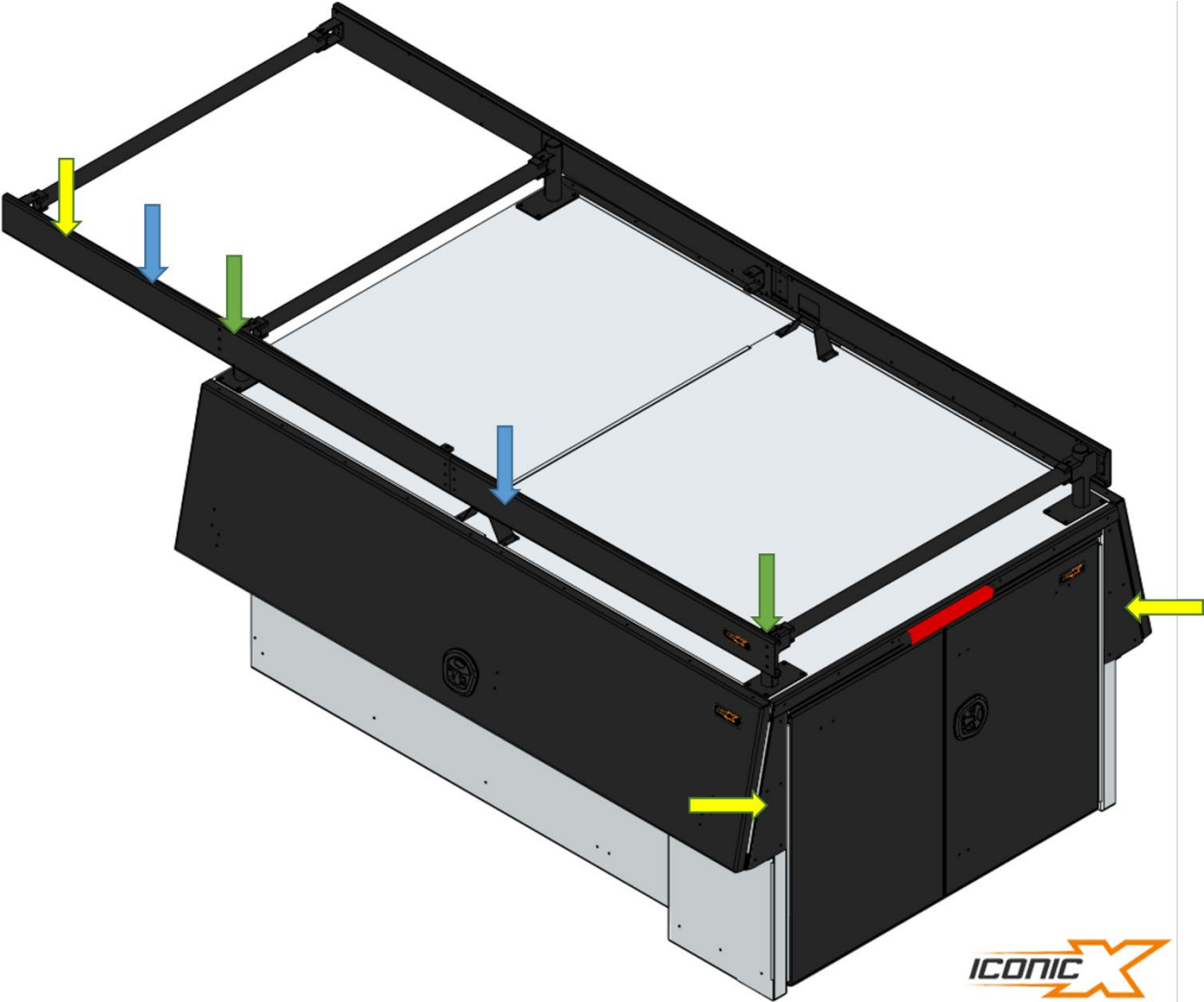


Figure 4:



A6. WINCH SYSTEM (REMOVABLE RECEIVER-MOUNTED)

Requirement	Comply	Comment
Winch Model	Bidder shall supply and install one (1) WARN ZEON XP 12-S electric winch (Model 110120)	
Capacity	Winch shall have a minimum rated capacity of 12,000 lbs.	
Rope Type	Winch shall be equipped with 80 feet of 3/8" synthetic rope and aluminum hawse fairlead	
Mounting System	Winch shall be mounted on a heavy-duty portable multi-mount cradle compatible with standard 2-inch receiver hitches	
Mount Rating	Winch mounting cradle shall be rated for minimum 12,000 lb. capacity	
Front Receiver	Bidder shall supply and install one (1) front-mounted 2-inch receiver hitch rated for winch use and compatible with the specified vehicle	
Rear Receiver	Winch shall be compatible with the existing rear receiver hitch or bidder shall upgrade as required to safely support winch operation	
Quick Connect System	Bidder shall supply and install heavy-duty quick-connect electrical connections at both front and rear of the vehicle	
Cable Size	Winch power cables shall be minimum 2 AWG copper or sized appropriately for winch load and cable length	
Electrical Capacity	Electrical system shall be designed to support high-current winch operation without overloading vehicle systems	
Wiring	All wiring shall be fused, loomed, secured, and protected from abrasion, heat, and moisture	
Power Connection	Winch system shall be connected to vehicle battery system with appropriate isolation and protection	
Controls	Winch shall include both wired and wireless remote control operation	
Accessories	Winch shall include hook, fairlead, and all standard manufacturer accessories	
Handling	System shall be suitable for handling and deployment by personnel wearing gloves	
Storage	Bidder shall provide secure storage for the winch assembly within the truck cap system	

A7. – VEHICLE DECALS AND MARKINGS

Requirement	Comply	Comment
Decal Supply and Installation	Bidder shall supply and install all vehicle decals and markings as part of the complete upfit	
Scope of Decals	Decals shall include logos, striping, unit numbers, rear chevrons, and all associated markings required for emergency service use	
Colour Scheme	Decals and striping shall be black on red body surfaces and gold reflective on black cap surfaces, unless otherwise specified by the Municipality	
Reflectivity	All striping, unit numbers, and rear chevrons shall be high-intensity reflective material suitable for emergency vehicle use	
Rear Chevrons	Rear of vehicle shall include high-visibility reflective chevron striping	
Logos	Municipality approved logos shall be installed on vehicle as directed	
Striping	Striping shall be installed on the truck body only and shall not extend onto the truck cap	
Unit Numbers	Unit numbers shall be installed on hood and truck cap locations as directed by the Municipality	
Cap Lettering	Truck cap shall include gold reflective lettering as specified by the Municipality	
Design Coordination	Final decal design, layout, and placement shall be coordinated with and approved by the Municipality prior to installation	
Vendor Coordination	Bidder shall contact the Municipality for clarification or additional details as required for accurate pricing and layout	
Application	All decals shall be professionally applied, aligned, and free of defects such as bubbles, wrinkles, or lifting edges	

Figure 4:

The provided figures and images are for general reference only and are intended to illustrate the overall design concept and layout.

They do not represent the exact final design, dimensions, or placement of decals and markings. Unit numbers, wording, and graphic elements shown are for illustrative purposes only.

The successful bidder shall work in coordination with the Municipality of North Grenville to finalize all decal design, layout, colours, and placement prior to installation.



A8. INSTALLATION AND INTEGRATION REQUIREMENTS

Requirement	Comply	Comment
Professional Installation	All equipment shall be installed in a professional manner consistent with emergency vehicle upfitting standards	
System Integration	All systems shall be fully integrated and operate as a single coordinated emergency vehicle platform	
Wiring	All wiring shall be concealed, loomed, secured, and protected from abrasion, heat, and moisture	
Circuit Protection	All circuits shall be properly fused and protected against overload and short circuit	
Electrical Load	Electrical system shall be capable of supporting all installed equipment, including high-load accessories such as winch operation	
Mounting	All equipment shall be securely mounted to prevent movement, vibration, or failure during operation	
Sealing	All exterior penetrations shall be properly sealed to prevent water ingress	
OEM Protection	Installation shall not interfere with OEM wiring, safety systems, sensors, or vehicle operation	
Airbag Systems	No equipment shall be installed in a manner that interferes with airbag deployment zones	
Fit and Finish	Installation shall be clean and free from visible defects, exposed wiring, or unfinished surfaces	
Compatibility	All installed equipment shall be compatible with each other and the vehicle electrical system	

A9. WARRANTY AND SERVICE REQUIREMENTS

Requirement	Comply	Comment
Warranty Coverage	Bidder shall provide warranty covering all supplied equipment and installation	
Minimum Warranty	Minimum one (1) year warranty on parts and labour for upfit (specify)	
Manufacturer Warranty	All manufacturer warranties shall be passed through to the Municipality	
Warranty Start	Warranty shall commence upon delivery and acceptance	
Service Support	Vendor shall provide contact information for warranty service and technical support	

A10. DELIVERY AND ACCEPTANCE

Requirement	Comply	Comment
Delivery Condition	Vehicle shall be delivered fully upfitted, operational, and ready for service	
Inspection	Municipality reserves the right to inspect all work prior to acceptance	
Deficiencies	Any deficiencies identified shall be corrected at no cost to the Municipality	
Clean Condition	Vehicle shall be delivered clean and free of defects or damage	

A11. DOCUMENTATION AND TRAINING

Requirement	Comply	Comment
Documentation	Vendor shall provide complete wiring diagrams and system documentation	
Training	Minimum two (2) hours of orientation for Municipal staff	
Software	Electronic copy of lighting control programming software shall be provided	

A12. PRICING SCHEDULE

Description	Amount (CAD)
Truck Cap System – Iconic X-One	\$
Emergency Lighting and Warning System	\$
Siren and Control System (Whelen)	\$
Mobile Workstation and Equipment Mounting (Havis)	\$
Electrical System and Components (Kussmaul, wiring, etc.)	\$
Winch System (WARN ZEON XP 12-S with mounting and wiring)	\$
Vehicle Decals and Markings (supply and installation)	
Antenna and Communications Equipment	\$
Freight and Delivery	\$
Other Fees (Specify)	\$
Subtotal (before HST)	\$
HST (13%)	\$
Total Tender Price	\$

A13. DELIVERY AND SCHEDULING

Requirement	Comply	Comment
Work Commencement	Bidder shall identify the earliest date that work can commence upon award of contract	
Vehicle Receipt	Bidder shall coordinate with the Municipality regarding delivery of the vehicle for upfitting	
Total Delivery Timeline	Bidder shall provide estimated total timeline from receipt of vehicle to final delivery (in weeks)	
Schedule Commitment	Bidder shall make reasonable efforts to adhere to the proposed schedule	
Notification	Bidder shall notify the Municipality of any anticipated delays	

Vendor Certification

Authorized Vendor Representative Name	Signature	Date

The Municipality of North Grenville reserves the right to verify all specifications and equipment prior to acceptance of the vehicle.